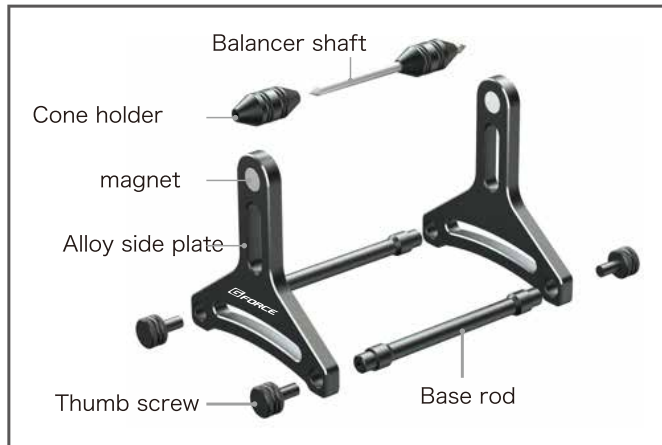


MAGNETIC SUSPENSION for 1/10 Scale TYRE BALANCER



Carefully install the wheel balancer as illustrated. The logo on side plates must face out. The magnets must be positioned so they attract, not repel.



Fit the wheel to shaft and push the cone holders to wheel firmly. The cone holder is designed for different types of wheels. One side is make $\Phi 4$ is for metric type of wheels and other is for imperial.



The principle of balancing is to find the "heavy side" of a wheel and add weight to the light side. Using your finger to spin the wheel and it will come to stop with the "heavy spot" at the bottom. Apply weight to opposite. A wheel is perfectly balanced if it can be stopped and will remain stationary in any position. Balance wheel will make big difference in the smoothness and handling of your car.

CONTENTS

- Alloy side plates with magnet (2)
- Base rods (2)
- Balancer shaft (1)
- Cone holders (2)
- Thumb screws (4)

SPECIFICATION

- Dimension : 85x72x71mm
- Weight : 72.5g
- Material : Alminum



Products by
G-FORCE, Inc.
www.gforce-hobby.jp

4F, No.18 SY Bldg. 4-3-8 Nihonbashi-Hongokuchō Chūō-ku, Tokyo 103-0021, JAPAN